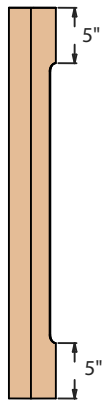
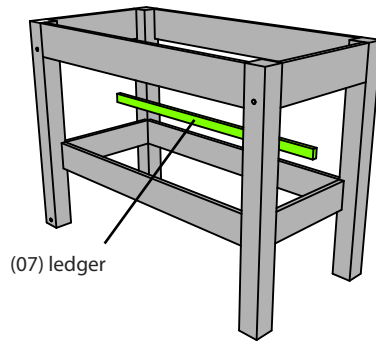


Figure 1



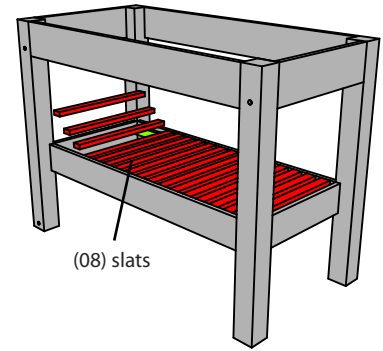
leg chamfer layout

Figure 4



(07) ledger

Figure 5



(08) slats

Figure 2

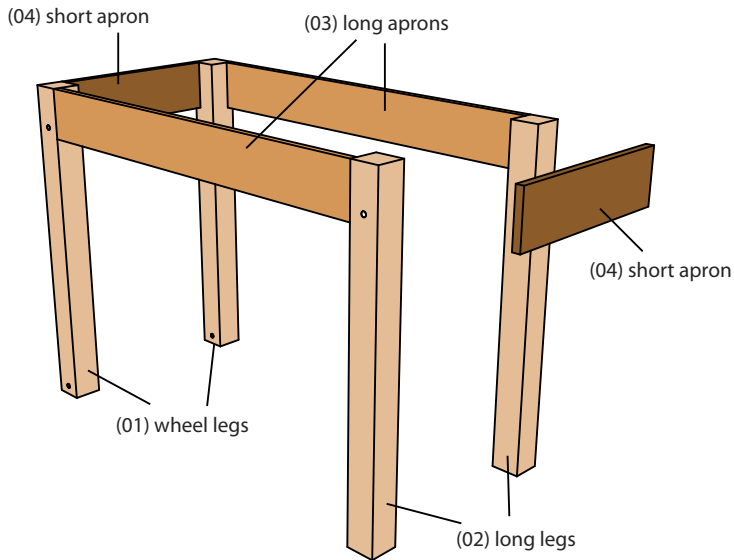


Figure 6

stainless steel sheet

(09) top

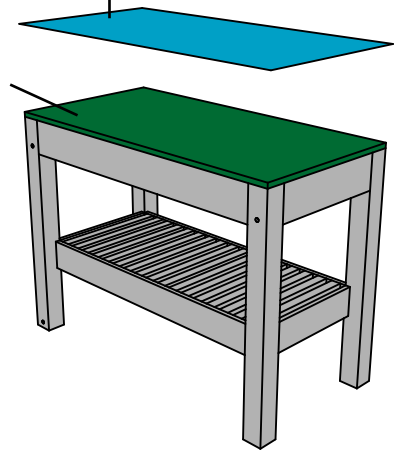


Figure 3

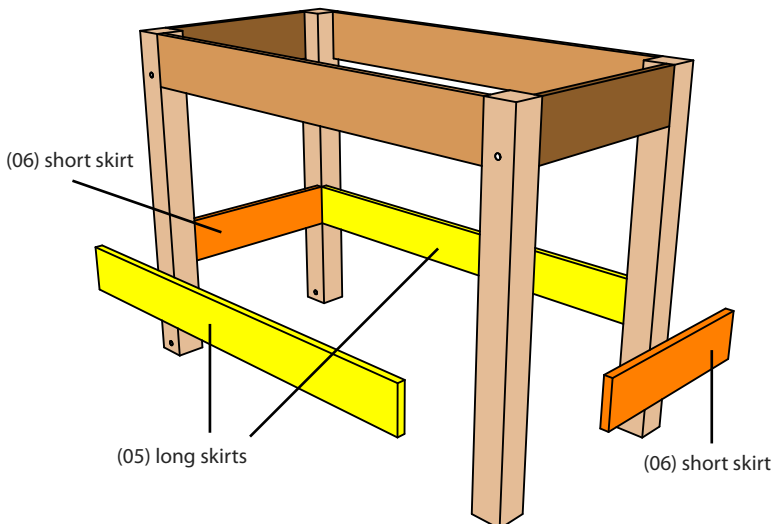


Figure 7

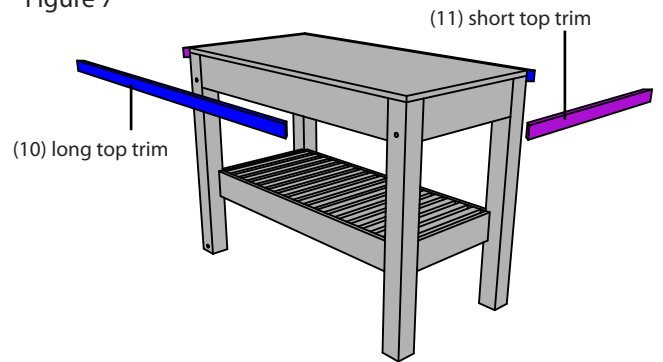
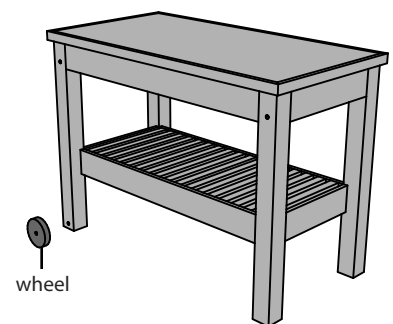


Figure 8



wheel